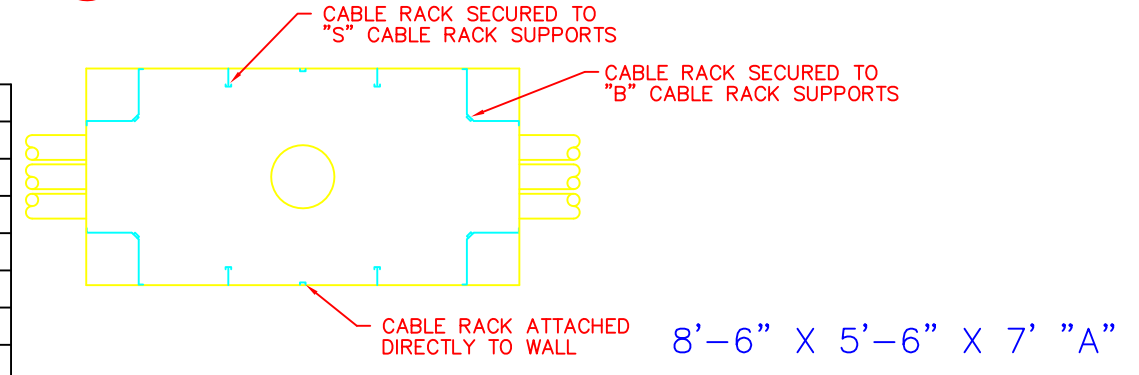


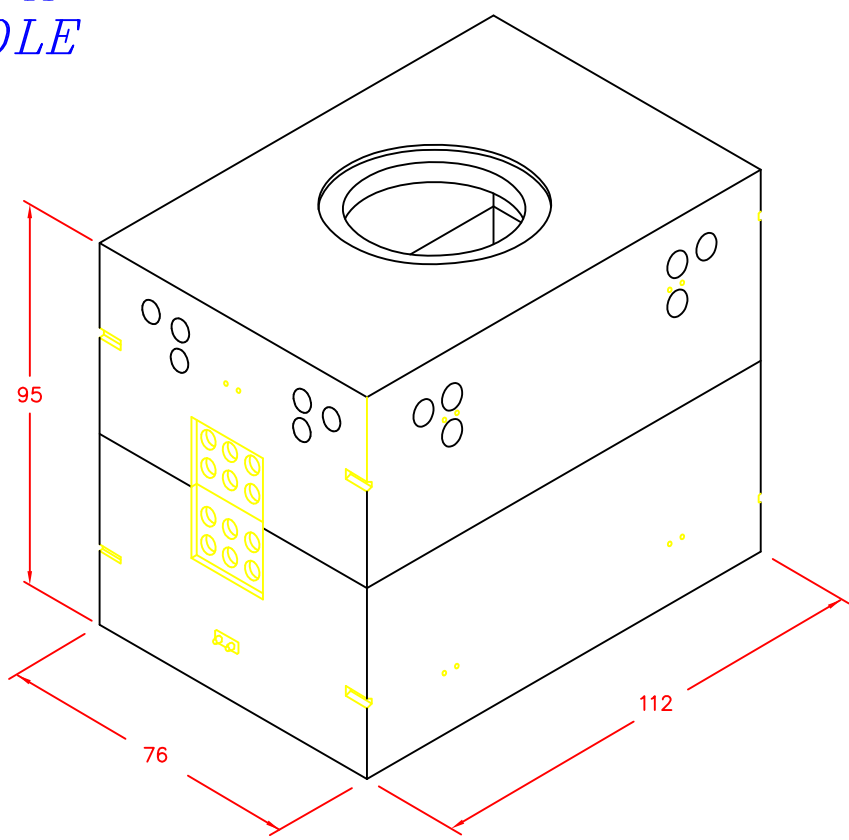
HARDWARE PACKAGE -- ASS'Y NO. 20-550				CAST-IN ITEMS			
ITEM	PART NO.	REQ'D	DESCRIPTION	ITEM	PART NO.	REQ'D	DESCRIPTION
1	4487	16	"B" CABLE RACK SUPPORT	14	1005	32	1/2-13 X 1 1/4 HEX BOLT
2	4476	10	47 HOLE CABLE RACK	15	1020	32	1/2-13 HEX NUT
3	8937	8	3/8-16 X 1 PLASTIC BOLT	5	5370	8	3/8-16 PLASTIC INSERT
4	8931	8	BONDING RIBBON CLAMP	6	4370	4	8 FT. BONDING RIBBON
7	4462	1	HOOK LADDER	9	4365	56	1/2-13 PLASTIC INSERT
8	1015	56	1/2-13 X 2 HEX BOLT	10	---	24	4 1/4 DIA. KNOCKOUT
12	23-001	2	PULL-IN IRON	16	25-000	1	14 DIA. SUMP
13	4484	16	"S" CABLE RACK SUPPORT	11	8934	24	4 DIA. DUCT TERMINATOR
				17	---	10	PULL-IN IRON KNOCKOUT



14.2



8'-6" X 5'-6" X 7'
TYPE "A"
MANHOLE



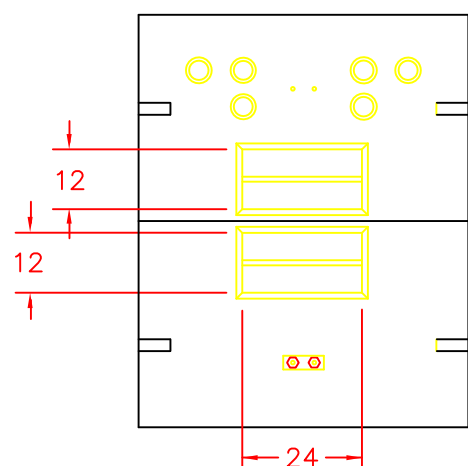
MANHOLE WITH
DUCT TERMINATORS
CASTING NO. 10-110T

DIMENSIONS

	LENGTH IN.	WIDTH IN.	HEIGHT IN.
INSIDE	102	66	84
OUTSIDE	112	76	95
RECOMMENDED HOLE SIZE	136	100	-

THICKNESS

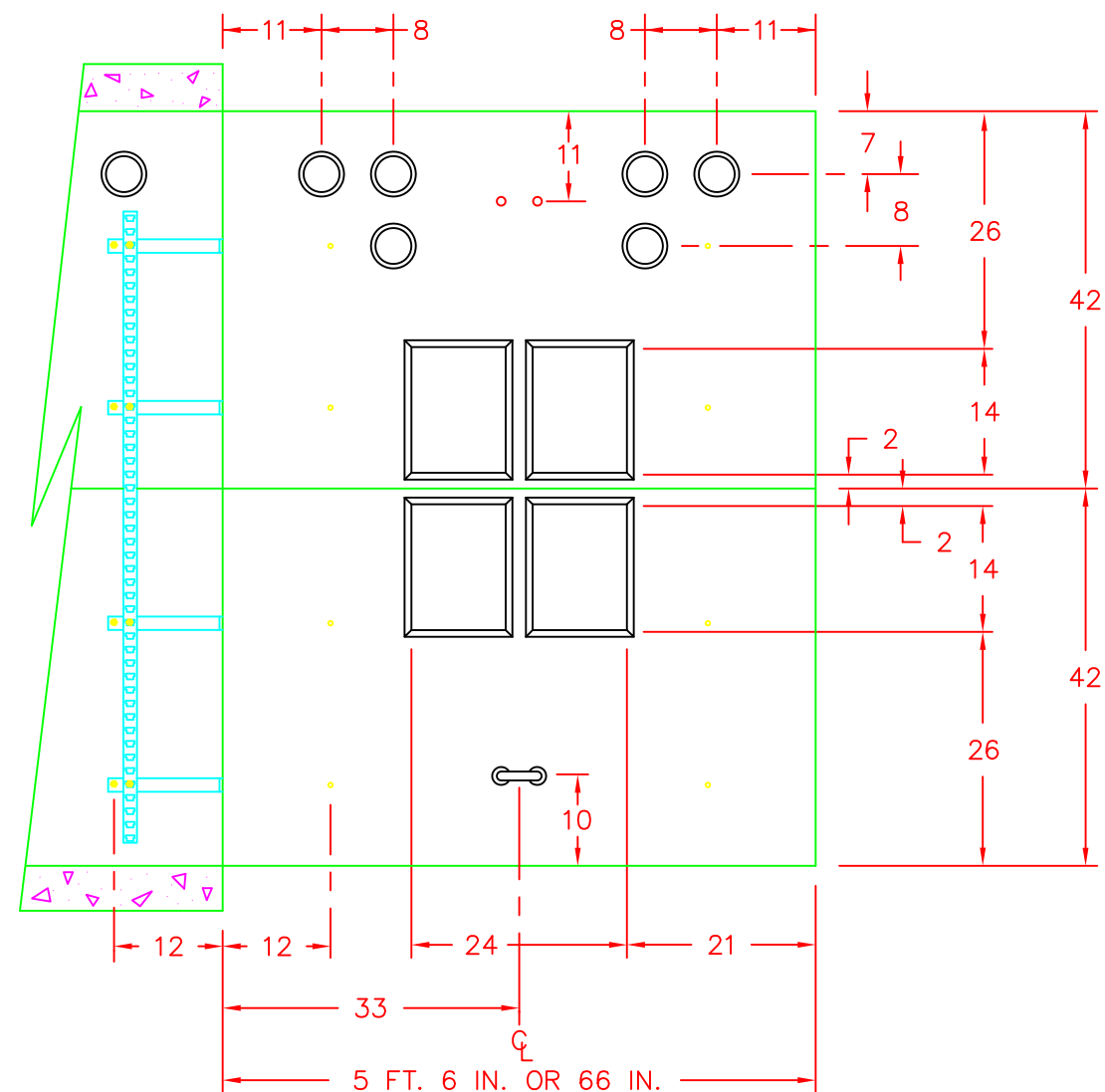
	IN.	WEIGHT LBS.
WALL	5	TOP 10,650
ROOF	6	BOTTOM 10,550
FLOOR	5	TOTAL 21,200



MANHOLE WITH KNOCKOUTS
CASTING NO. 10-110K

R1/02
R3/96

8'-6" X 5'-6" X 7' "A"
END WALL STANDARD KNOCKOUTS



14.1

14.3